

7/8" (22.2 mm) Three Turn Wirewound Upper Grade Precision Potentiometer



FEATURES

- Large range of ohmic values: 5 Ω to 20 kΩ
- Bushing mount or servo mount designs are available
- Gangable up to 3 sections
- Extra taps available upon request

ELECTRICAL SPECIFICATIONS		
PARAMETER		
Total Resistance	STANDARD RANGE 5 Ω to 20 kΩ	SPECIAL 45 kΩ
Tolerance 50 Ω and Above	± 3 %	± 1 %
Below 50 Ω	± 5 %	± 3 %
Linearity (Independent)	STANDARD	BEST PRACTICAL
Total Resistance		
5 Ω to 500 Ω	± 0.25 %	± 0.25 %
500 Ω to 2 kΩ	± 0.25 %	± 0.20 %
2 kΩ and Above	± 0.25 %	± 0.125 %
Noise	100 Ω ENR	
Electrical Rotation	1080° + 4° - 0°	
Power Rating	1.0 W at 70 °C ambient to zero at 125 °C	
Section 1	75 % of the rating of section 1 (0.75 W at 70 °C)	
Additional Section		
Insulation Resistance	1000 MΩ minimum, 500 V _{DC}	
Dielectric Strength	1000 V _{RMS} minimum, 60 Hz	
Absolute Minimum Resistance	Linearity x total resistance or 0.5 Ω, whichever is greater	
End Voltage	Linearity x total applied voltage for total resistance above 20 Ω, 2.0 % of total applied voltage for 20 Ω and below	
Phasing (CCW End Points)	Additional sections phased to section 1 within ± 2°	
Taps (Extra)	16 available as special, standard tolerance ± 2°	

ORDERING INFORMATION/DESCRIPTION

The Model 552 can be ordered from this data sheet with a variety of alternate characteristics, as shown. For most rapid service on your order, please state:

552	B	1	10K	BO1
MODEL	MOUNTING	NUMBER OF SECTIONS	OHMIC VALUE OF SECTION N° 1	PACKAGING
	B: Bushing S: Servo	From 1 up to 3		Box of 1 piece

Other characteristics will be standard as described on this data sheet. If special characteristics are required, such as: special linearity tolerance, special resistance tolerance, extra taps, non-linear functions, etc., please state these on your order and allow additional lead time for delivery.

SAP PART NUMBERING GUIDELINES

552	B	1	103	B01
MODEL	STYLE	NUMBER OF SECTIONS	OHMIC VALUE OF SECTION N° 1	PACKAGING

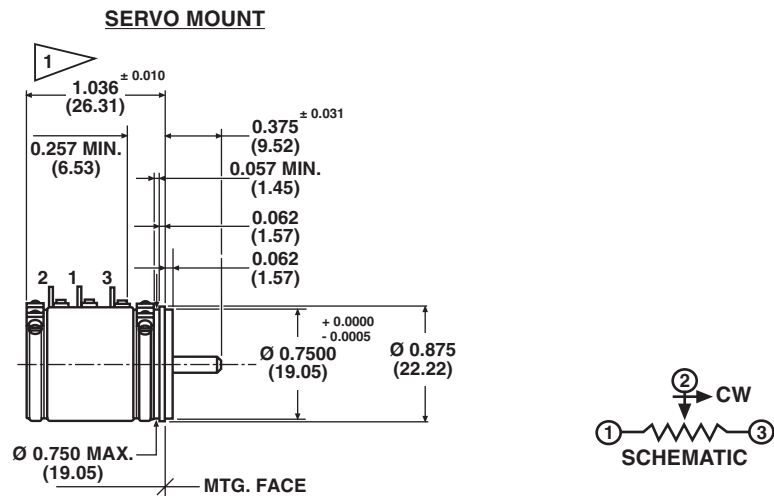
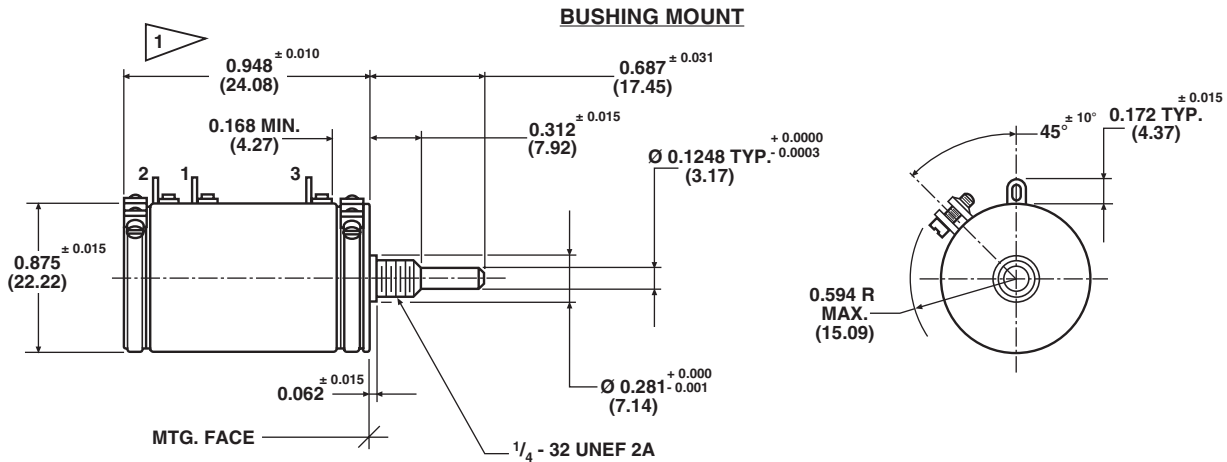
Model 552

Vishay Spectrol

7/8" (22.2 mm) Three Turn Wirewound
Upper Grade Precision Potentiometer



DIMENSIONS in inches (millimeters)



TOLERANCES: UNLESS OTHERWISE NOTED.
DECIMALS ± 0.005 ANGLES ± 2°

1 ADD 0.782 ± 0.002 (19.86) FOR EACH
ADDITIONAL SECTION

MECHANICAL SPECIFICATIONS		
PARAMETER		
Mechanical Rotation	1080° + 10° - 0°	
Bearing Type: Servo Mount Bushing Mount	Ball bearing Sleeve bearing	
Torque (Maximum) Servo: 1 Section Bushing: 1 Section Each Additional Section	STARTING 0.4 oz. - in (28.8 g - cm) 0.5 oz. - in (36.0 g - cm) 0.3 oz. - in (21.6 g - cm)	RUNNING 0.3 oz. - in (21.6 g - cm) 0.4 oz. - in (28.8 g - cm) 0.2 oz. - in (14.4 g - cm)
Mechanical Runouts (Maximum) Shaft Runout (TIR/in) Pilot Dia. Runout (TIR) Lateral Runout (TIR) Shaft End Play Shaft Radial Play	SERVO 0.002" (0.05 cm) 0.002" (0.05 cm) 0.002" (0.05 cm) 0.005" (0.13 cm) 0.002" (0.05 cm)	BUSHING 0.002" (0.05 cm) 0.002" (0.05 cm) 0.005" (0.13 cm) 0.005" (0.13 cm) 0.003" (0.08 cm)
Weight (Maximum): Single Section Additional Section	0.75 oz. (21.7 g) 0.60 oz. (17.0 g)	
Stop Strength	100 oz. - in static (7.2 kg - cm)	
Ganging	3 sections maximum, terminal alignment added sections within ± 10° of section 1 terminals	
Moment of Inertia	0.30 g - cm ² per section maximum	



**7/8" (22.2 mm) Three Turn Wirewound
Upper Grade Precision Potentiometer**

Vishay Spectrol

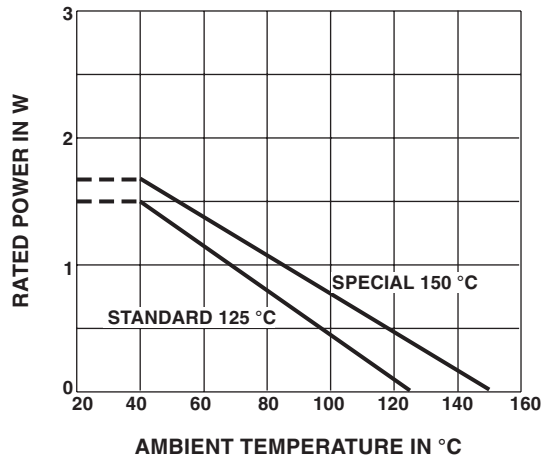
MATERIAL SPECIFICATIONS	
Housing	Glass filled phenolic (black)
Lids	Aluminum, anodized
Shaft	Stainless steel, non magnetic, non-passivated
Terminals	Brass, gold plated
Clamp Ring	Stainless steel
Bushing Mount Hardware Lockwasher Internal Tooth: Panel Nut:	Steel, nickel plated Brass, nickel plated

ENVIRONMENTAL SPECIFICATIONS	
Vibration	15 g thru 2000 Hz
Shock	50 g
Salt Spray	96 h
Rotational Life	600 000 shaft revolutions
Load Life	900 h
Operating Temperature Range	- 65 °C to + 125 °C

MARKING	
Unit Identification	Units will be marked with Vishay Spectrol name and model no, resistance and resistance tolerance, linearity, terminal identification, and date code

POWER RATING CHART

(Ratings for cup N^o 1.
Additional cups 75 % of values shown)



RESISTANCE ELEMENT DATA					
STANDARD RESISTANCE VALUES (Ω)	RESOLUTION (%)	OHMS PER TURN	MAXIMUM CURRENT AT 70 °C AMBIENT (mA)	MAXIMUM VOLTAGE ACROSS COIL (V)	WIRE TEMP. COEF. (ppm/°C)
5	0.265	0.013	447	2.24	800
10	0.182	0.018	316	3.16	800
20	0.155	0.031	224	4.48	800
50	0.150	0.075	141	7.05	180
100	0.125	0.125	100	10.0	20
200	0.116	0.232	70.7	14.1	20
500	0.103	0.517	44.7	22.4	20
1K	0.089	0.886	31.6	31.6	20
2K	0.071	1.411	22.4	44.8	20
5K	0.057	2.828	14.1	70.5	20
10K	0.044	4.381	10.0	100	20
20K	0.036	7.199	7.07	141	20
45K	0.031	14.170	4.71	212	20



Disclaimer

All product specifications and data are subject to change without notice.

Vishay Intertechnology, Inc., its affiliates, agents, and employees, and all persons acting on its or their behalf (collectively, "Vishay"), disclaim any and all liability for any errors, inaccuracies or incompleteness contained herein or in any other disclosure relating to any product.

Vishay disclaims any and all liability arising out of the use or application of any product described herein or of any information provided herein to the maximum extent permitted by law. The product specifications do not expand or otherwise modify Vishay's terms and conditions of purchase, including but not limited to the warranty expressed therein, which apply to these products.

No license, express or implied, by estoppel or otherwise, to any intellectual property rights is granted by this document or by any conduct of Vishay.

The products shown herein are not designed for use in medical, life-saving, or life-sustaining applications unless otherwise expressly indicated. Customers using or selling Vishay products not expressly indicated for use in such applications do so entirely at their own risk and agree to fully indemnify Vishay for any damages arising or resulting from such use or sale. Please contact authorized Vishay personnel to obtain written terms and conditions regarding products designed for such applications.

Product names and markings noted herein may be trademarks of their respective owners.